

Data sheet

PM8DG100



Constructive Features

- cooking vat with bottom in stainless steel AISI 316 (thickness 20-25/10) specifically intended for the processing of particularly acid products, and walls in stainless steel AISI 304 (thickness 20/10)
- balanced lid in stainless steel AISI 304 (thickness 12-15/10) with athermic handle
- supporting structure in stainless steel AISI 430 (thickness 15-20/10)
- heat insulation guaranteed by panels in thick glass fibre
- outer cover in stainless steel AISI 304, fine satin finish (thickness 10/10)
- adjustable feet in stainless steel AISI 304 to ensure levelling

Functional Features General

- heating by means of stainless steel high efficiency tube burners. Ignition by means of constant spark system powered by a battery (1,5 V) and pilot flame. Minimum/maximum cock with thermocouple safety system. Vat filled with water by means of tap (hot/cold water) and swivel hose. Exhaust hole of vat with filter (extractable). Wash-out valve in chrome-plated brass, 2 inc., (1 inc 1/2 for 50 l. model) with insulating handle

Panel Board Functions

- water faucet (hot/cold water)
- temperature adjustment with min/max cock
- vat front drain cock

Optionals

- NOT PRESENT

Accessories

- PAC10600R - BASKET 1 SECTOR FOR LT.100
- PAC20600R - BASKET 2 SECTORS FOR LT.100
- PAC30600R - BASKET 3 SECTORS FOR LT.100

Certificates



Planner

.....

.....

.....

.....

.....

.....

.....

.....

.....

.....

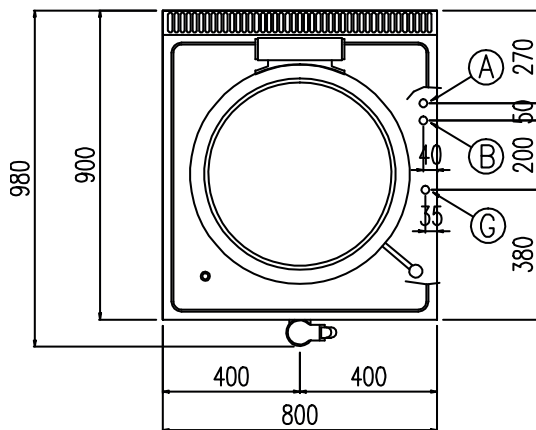
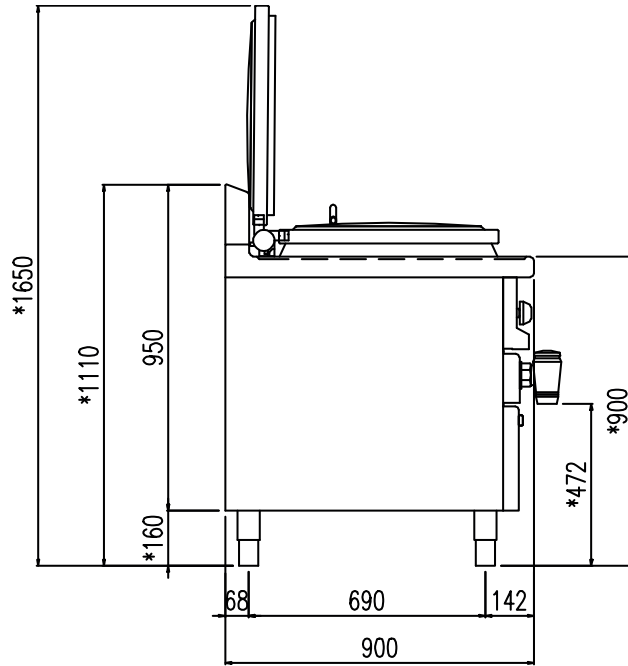
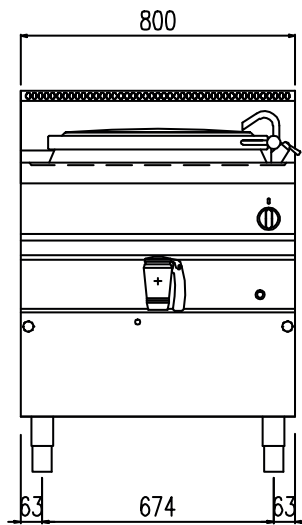
Firex Srl reserves the right to make modifications to the products without prior notice. All information correct at time of printing - 2021.03.31

Firex Srl

Zona Industriale Gresal 28 - 32036 - Sedico (BL) - Italy
 Phone +39 0437 852700
 Fax +39 0437 852858

www.firex.com
 firex@firex.com

* REG. -30 ; + 30 mm



Dimensions weights and capacities

| | | | | | |
|--------|---------|-----------------|--------|------------------------|--------------------|
| Width | 800 mm | Vessel diameter | 600 mm | Cooking vessel surface | 28 dm ² |
| Depth | 900 mm | Vessel height | 415 mm | Weight | 108 kg |
| Height | 1110 mm | Capacity | 106 lt | | |

Water connection

| | | | | | |
|----------------|------------|----------------------|---------|---------------------|---------|
| Water pressure | 50÷300 KPa | Cold water inlet (B) | Ø 10 mm | Hot water inlet (A) | Ø 10 mm |
|----------------|------------|----------------------|---------|---------------------|---------|

Gas connection

| | | | |
|--------------------|------|-----------|-------|
| Gas connection (G) | 1/2" | Gas power | 21 Kw |
|--------------------|------|-----------|-------|