

Data sheet

PM1DG300



Constructive Features

- cooking vat with bottom in stainless steel AISI 316 (thickness 20-25/10) specifically intended for the processing of particularly acid products, and walls in stainless steel AISI 304 (thickness 20/10)
- balanced lid in stainless steel AISI 304 (thickness 12-15/10) with athermic handle
- supporting structure in stainless steel AISI 430 (thickness 15-20/10)
- heat insulation guaranteed by panels in thick glass fibre
- outer cover in stainless steel AISI 304, fine satin finish (thickness 10/10)
- adjustable feet in stainless steel AISI 304 to ensure levelling

Functional Features General

- heating by means of stainless steel high efficiency tube burners. Ignition by means of constant spark system powered by a battery (1,5 V) and pilot flame. Minimum/maximum cock with thermocouple safety system. Vat filled with water by means of tap (hot/cold water) and swivel hose. Exhaust hole of vat with filter (extractable). Wash-out valve in chrome-plated brass, 2 inc., (1 inc 1/2 for 50 l. model) with insulating handle

Panel Board Functions

- water faucet (hot/cold water)
- temperature adjustment with min/max cock
- vat front drain cock

Optionals

- NOT PRESENT

Accessories

- PAC10900R - BASKET 1 SECTOR FOR PF LT.300
- PAC20900R - BASKET 2 SECTORS FOR LT.300
- PAC30900R - BASKET 3 SECTORS FOR LT.300
- PAC0900 - KOUSKOUSSIER FOR LT.300

Certificates



Planner

.....

.....

.....

.....

.....

.....

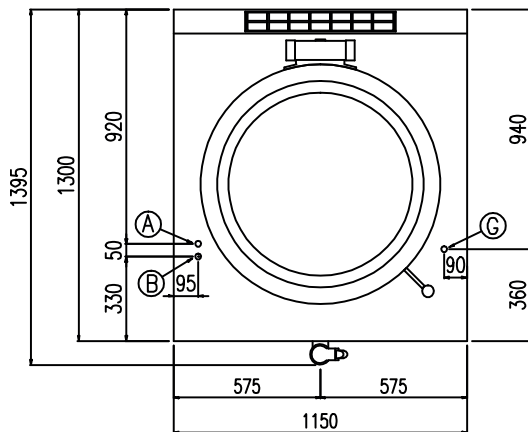
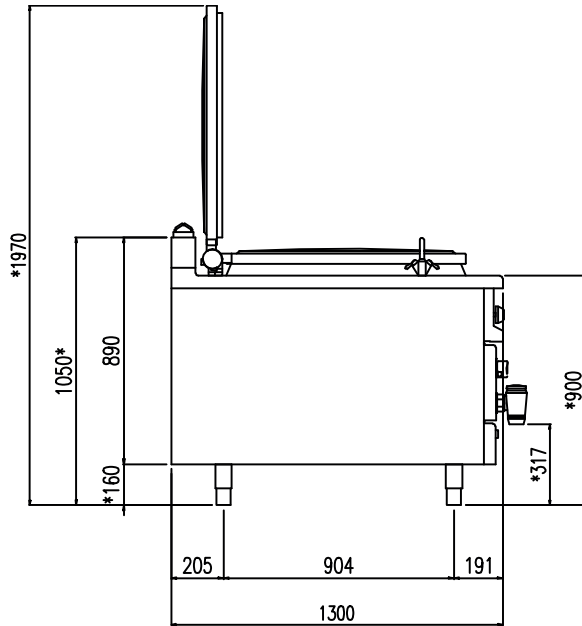
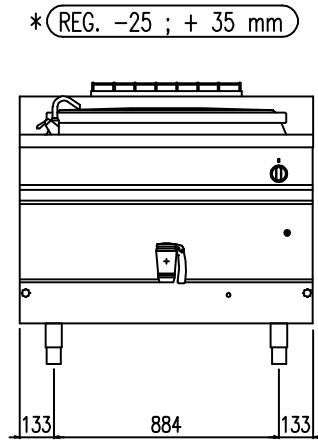
.....

.....

.....

.....

Firex Srl reserves the right to make modifications to the products without prior notice. All information correct at time of printing - 2021.03.31



Dimensions weights and capacities

Width	1150 mm	Vessel diameter	900 mm	Cooking vessel surface	64 dm ²
Depth	1300 mm	Vessel height	570 mm	Weight	230 kg
Height	1050 mm	Capacity	337 lt		

Water connection

Water pressure	50÷300 KPa	Cold water inlet (B)	1/2"	Hot water inlet (A)	1/2"
----------------	------------	----------------------	------	---------------------	------

Gas connection

Gas connection (G)	1/2"	Gas power	48 Kw
--------------------	------	-----------	-------