



PHER01/SPH - Lincat Phoenix Electric Free-standing Induction Oven Range - 6-Zone - W 900 mm - 13.0 kW [1-Phase]

This powerful six-zone induction electric oven range has the ability to cook large volumes of quality food efficiently, making it the ultimate solution for pubs, care homes and community centres.

- ✓ Six 1.85kW zones. When you need intense heat to get you cooking, zones can be boosted to 3kW for up to 10 minutes. Power to the other zones will drop during the boost period.
- ✓ Incredible efficiency, reducing running costs and providing a more comfortable kitchen environment
- ✓ Easy to clean heavy duty 6mm thick, high impact resistant, glass ceramic surface
- ✓ Large 6 x GN1/1 capacity twin fan assisted oven, enabling six different foods to be cooked simultaneously
- ✓ Highly insulated oven, reducing heat loss and ensuring a more consistent temperature

Specifications

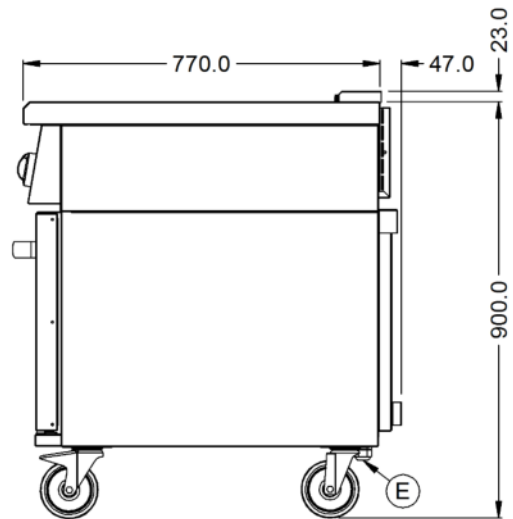
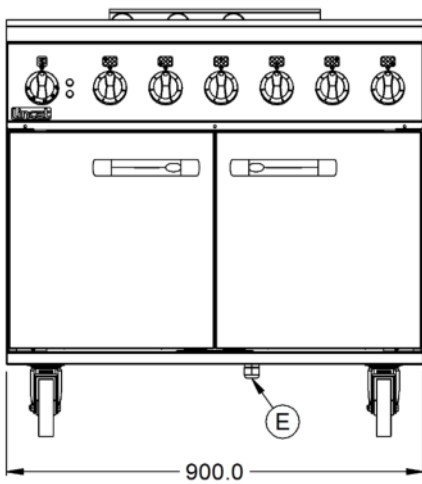
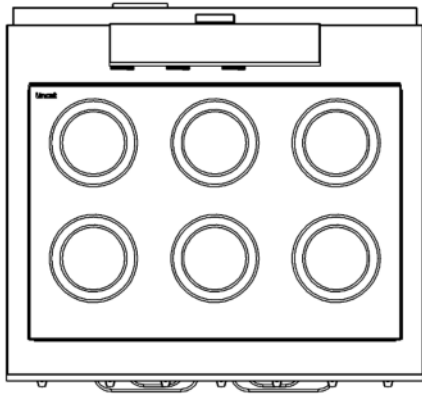
| Summary | | Power and Performance | |
|----------------------|-----------------------------------|---------------------------------|--------------|
| Brand | Lincat | Total Power kW | 13.0 |
| Range | Phoenix | Temperature Range °C | 50-250 |
| Power Type | Electric | IP Rating | IP24 |
| Unit Type | Free-standing | Cooking Area (Width x Depth) mm | 190 dia. x 6 |
| Available in UK Only | No | Temperature Control | Mechanical |
| UK Warranty | 2 Years Parts and Labour Warranty | Rating per Hob kW | 1.5 |
| Export Warranty | Contact your local dealer | Oven Rating kW | 4.0 |
| GTIN | 5056105116417 | | |

| Key Specifications | | Capacity | |
|----------------------------|-------|---------------------|-----------|
| Number of Shelves included | 3 | Gastronorm Capacity | 6 x GN1/1 |
| Number of Shelf Positions | 5 | | |
| Number of Hobs | 6 | | |
| Shape of Hob | Round | | |

| Weights and Dimensions | | Supply Connections | |
|---------------------------|-----|--------------------------------|-------------------------------------|
| Unit Height (External) mm | 923 | Requires Installation | Yes |
| Unit Width (External) mm | 900 | Requires Electrical Supply | Yes |
| Unit Depth (External) mm | 817 | UK 3 Pin Plug | No |
| Height (Internal) mm | 410 | Requires Hardwiring | Yes |
| Width (Internal) mm | 725 | Electrical Supply Rating Watts | 13,000 |
| Depth (Internal) mm | 512 | Single Phase Amps | 56.5 [1 supp.]; 30.4/26.1 [2 supp.] |
| Shelf Dimensions Width mm | 706 | Single Phase Voltage | 230 |
| Shelf Dimensions Depth mm | 512 | | |
| Hob Dimensions mm | 190 | | |
| Net Weight Kg | 125 | | |

| Shipping | |
|------------------|-------|
| Packed Weight Kg | 137.5 |
| Packed Height cm | 106 |
| Packed Width cm | 100 |
| Packed Depth cm | 85 |

Technical Picture



Lincat Limited

Whisby Road,
Lincoln, LN6 3QZ,
United Kingdom

Company No: 2175448

A member company of



Customer Care

Tel: +44 1522 875500
Email: care@lincat.co.uk

Export Customers

Tel: +44 1522 875536
Email: export@lincat.co.uk

Opening Hours

Monday – Friday:
8.30am – 5pm