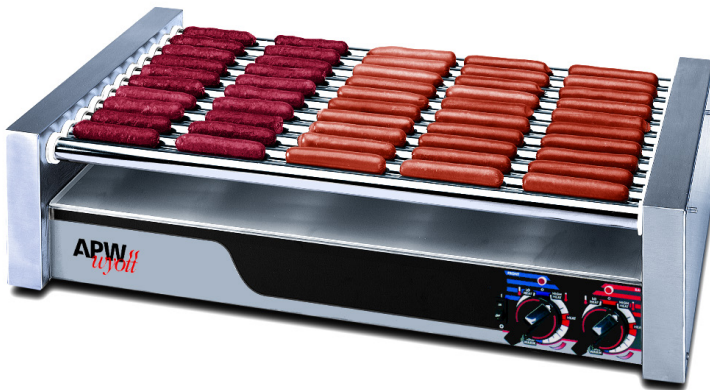




X*PERT FLAT SURFACE ROLLER GRILLS

MODELS: HR & HRS -20, -31, -45, -50, -75, -85



APW Wyott X*PERT series flat roller grills are perfect for merchandising hot products in convenience store environments. The flat design offers excellent versatility for product convenience. Roller grills are available in multiple widths and electrical variations. Select from HR models with chrome surface rollers or our HRS TRU-Turn non-stick rollers.

Independent heating zones, front and back, allow operators to bring up product to temperature on one zone then transfer to the other zone for holding and serving product.

Larger and wider bearings offer years of dependable service while the self aligning chain guide system provides smooth, noise-free operation.

OPTIONS

- 4" Metal Leg Kit
- Pass through Sneeze Guards
- 6" Tongs
- Divider Kits
- Polycarbonate Sneeze Guards
- Locate controls on back of unit

WARRANTY

APW Wyott HotRod Roller Grill equipment is backed by a 1-year parts and labor warranty, including on-site service calls within 50 miles of authorized service technicians.

CERTIFICATIONS

Certified by the following agencies:



FEATURES AT A GLANCE

- Compact HR(S)-20 (11 roller & 13" cooking surface across)
- Regular size HR(S)-31 (11 rollers & 19.5" cooking surface across)
- Full Menu Size HR(S)-50 (11 rollers & 30.5" cooking surface across), HR(S)-75 (16 rollers & 34" cooking surface across) and HR(S)-85 (18 rollers & 34" cooking surface across)
- Exterior cabinet constructed of stainless steel for maximum durability
- Tru-Turn coating is 30% thicker than competitive non-stick coatings
- 7/16" space between rollers
- Seals at end of rollers stop grease from migrating into motors and chains
- Available in Chrome or Tru-Turn non-stick rollers
- Easy to read infinite controls make it easier for employees to operate at the correct temperatures
- Tru-Turn coated rollers can be easily cleaned with a damp rag
- Removable grease collection pan is simple to clean
- Unit is designed with easy to remove side and bottom panels for servicing
- Dependable, high torque motor is one of the most dependable in the industry
- Patented bearings are larger and a wider radius that provides more roller tube support, eliminates wear and wobble, and more than doubles overall bearing life
- Self-aligning chain guide system provides noise-free operation along with eliminating chain slippage
- Tru-Turn roller tube coating processes have been enhanced to provide the thickest coating in the industry
- Roller tubes provide more even heating across the roller grill surface and maintain a temperature variance of less than 7 degrees

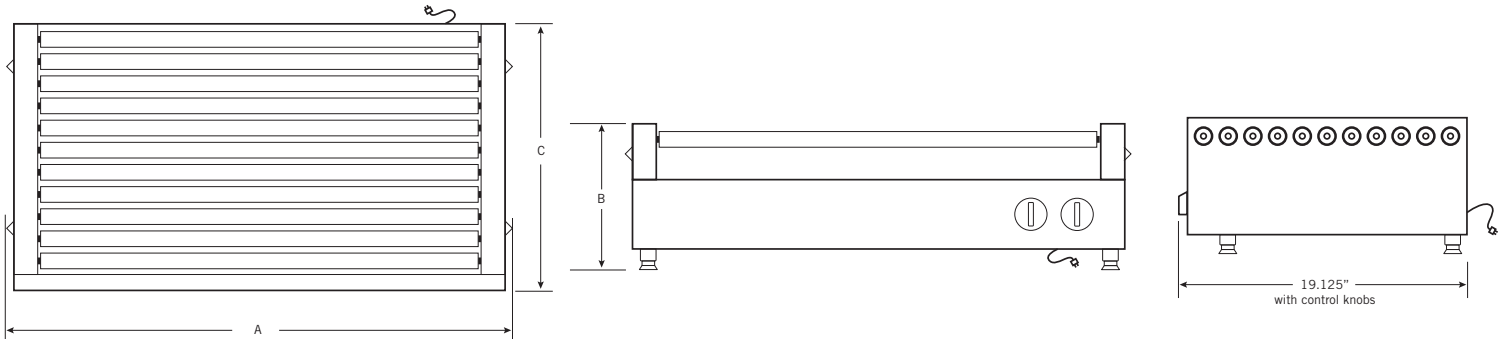




X*PERT FLAT SURFACE ROLLER GRILLS

MODELS: HR & HRS -20, -31, -45, -50, -75, -85

EQUIPMENT DIMENSIONS



MECHANICAL SPECIFICATIONS

Model #	Volts	Watts	Amps	Overall Dimensions Width (A) x Height (B)* x Depth (C)** (inches / mm)	Ship Weight (lbs. / Kilos)
HR-20	120	750	6.3	17.781" x 9.125" x 18.625" (452 x 232 x 473)	35 lbs. (15.9kg)
HR-31	120	975	8.1	24.219" x 9.125" x 18.625" (615 x 232 x 473)	42 lbs. (19kg)
	208/240	1,160/1,550	5.6/6.5	24.219" x 9.125" x 18.625" (615 x 232 x 473)	42 lbs. (19kg)
HR-45	120	1,450	12.1	24.25" x 10.875" x 29.563" (616 x 276 x 751)	46 lbs. (21kg)
HR-50	120	1,400	11.7	35.281" x 9.125" x 18.625" (896 x 232 x 473)	55 lbs. (25kg)
	208/240	1,260/1,670	6.1/7.0	35.281" x 9.125" x 18.625" (896 x 232 x 473)	55 lbs. (25kg)
HR-75***	120	1,000	8.3	35.25" x 10.875" x 29.563" (895 x 276 x 751)	87 lbs. (39.4kg)
	208/240	1,800/2,400	8.7/10.0	35.25" x 10.875" x 29.563" (895 x 276 x 751)	87 lbs. (39.4kg)
HR-85	208/240	2,000/2,700	9.6/11.3	35.25" x 10.875" x 29.563" (895 x 276 x 751)	110 lbs. (50kg)
HRS-20	120	750	6.3	17.781" x 9.125" x 18.625" (452 x 232 x 473)	35 lbs. (15.9kg)
HRS-31	120	975	8.1	24.219" x 9.125" x 18.625" (615 x 232 x 473)	42 lbs. (19kg)
	208/240	1,160/1,550	5.6/6.5	24.219" x 9.125" x 18.625" (615 x 232 x 473)	42 lbs. (19kg)
HRS-45	120	1,450	12.1	24.25" x 10.875" x 29.563" (616 x 276 x 751)	46 lbs. (21kg)
HRS-50	120	1,400	11.7	35.281" x 9.125" x 18.625" (896 x 232 x 473)	55 lbs. (25kg)
	208/240	1,260/1,670	6.1/7.0	35.281" x 9.125" x 18.625" (896 x 232 x 473)	55 lbs. (25kg)
HRS-75***	120	1,000	8.3	35.25" x 10.875" x 29.563" (895 x 276 x 751)	87 lbs. (39.4kg)
	208/240	1,800/2,400	8.7/10.0	35.25" x 10.875" x 29.563" (895 x 276 x 751)	87 lbs. (39.4kg)
HRS-85	208/240	2,000/2,700	9.6/11.3	35.25" x 10.875" x 29.563" (895 x 276 x 751)	110 lbs. (50kg)

*Height includes adjustable 1" legs. **Depth does not include control knobs. ***Not CUL Approved (2 power cords), 60hz, 1-phase

ELECTRICAL INFORMATION

120V units use a 5-15P plug. Both the 208V and 240V units are provided with a 60" power cord with a NEMA 6-15P plug that exits from the bottom on the left rear corner.

Freight Class: 70
FOB: Smithville, TN 37166

APW Wyott reserves the right to modify specifications or discontinue models without incurring obligation. Dimensions nominal.

REQUIRED CLEARANCES

	Combustible
Left	N/A
Right	N/A
Back	N/A