

## Data sheet BR9E090I



### Constructive Features

- cooking vessel in stainless steel AISI 304 (bottom thickness 12-15 mm and wall thickness 2 mm). Vessel with manual tilting on front part with worm screw controlled by a handwheel
- balanced lid in stainless steel AISI 304 (thickness 10/10) equipped with ergonomic handle
- outer cover in stainless steel AISI 304, fine satin finish (thickness 10/10)
- adjustable feet in stainless steel AISI 304 to ensure levelling

### Functional Features General

- heating by means of armoured elements in INCOLOY-800 alloy. Thermostat for temperature adjustment from 45 °C to 300 °C. Safety thermostat in case of abnormal operation. Vat filled with water by means of tap and swivel hose fixed to the chimney
- heating interruption in the tank overturning phase

### Panel Board Functions

- temperature setting with electromechanical thermostat
- manual cock for vat filling
- tilting and manual return of cooking vessel

### Display/Signal

- electric tension light
- heating operating visual alarm

### Safety System

- blocking of heating for excess of temperature with manual resettable safety thermostat

### Optionals

- BAR0010 - KIT 4 WHEELS BR..

### Accessories

- NOT PRESENT

### Certificates



### Planner

.....

.....

.....

.....

.....

.....

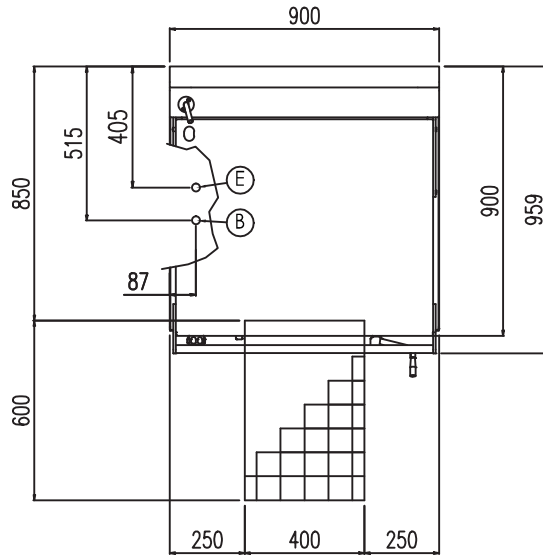
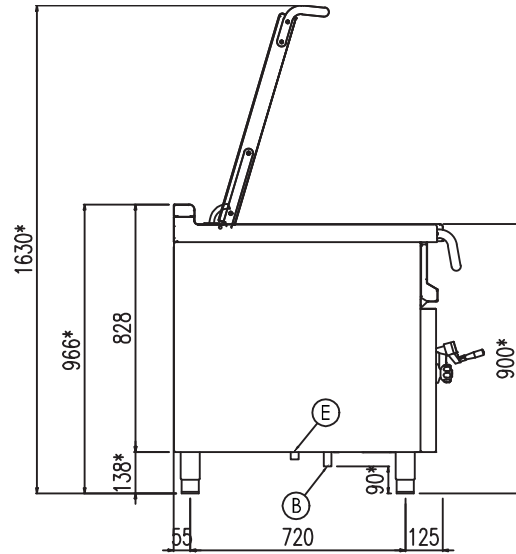
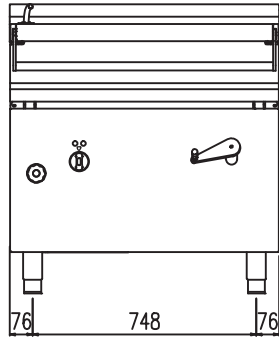
.....

.....

.....

.....

\* REG. - 5 ; + 55 mm



#### Dimensions weights and capacities

Width	900 mm	Vessel width	798 mm	Capacity	70 lt
Depth	900 mm	Vessel depth	564 mm	Cooking vessel surface	45 dm <sup>2</sup>
Height	970 mm	Vessel height	200 mm	Weight	152 kg

#### Water connection

Water pressure	50÷300 KPa	Cold water inlet (B)	1/2"
----------------	------------	----------------------	------

#### Electrical connection

STD Voltage (E)	380-415V 3N ~ 50/60Hz	Electric power	10,00 Kw	Current	15,1 A
OPT Voltage (E)	208V 3 ~ 50/60Hz	Electric power	8,20 Kw	Current	22,7 A
OPT Voltage (E)	460-480V 3 ~ 50/60Hz	Electric power	10,00 Kw	Current	12,1 A
OPT Voltage (E)	440V 3 ~ 50/60Hz	Electric power	10,00 Kw	Current	13,2 A
OPT Voltage (E)	380-415V 3 ~ 50/60Hz	Electric power	10,00 Kw	Current	15,1 A
OPT Voltage (E)	220-240V 3 ~ 50/60Hz	Electric power	10,00 Kw	Current	26,2 A