



## BD20036 - Lincat Blu Refrigerated Chef Base - W 914 mm - 600 W

In busy kitchens where speed is crucial, caterers need quick and easy access to food at the point of cooking, Blu° refrigerated chef bases provides the ideal solution.

- ✓ Designed to accommodate heavy equipment, including Opus 800 Series charrills, griddles and hobs
- ✓ Drawers hold 1/1 GN 100mm deep containers
- ✓ Allows bulk storage and easy access to food at point of cooking
- ✓ Ideal for meat and fish
- ✓ Adjustable thermostat -2° to +8°C
- ✓ Self closing heavy duty drawers
- ✓ Supplied on castors as standard

### Specifications

#### Summary

<b>Brand</b>	Lincat
<b>Range</b>	Blu
<b>Power Type</b>	Electric
<b>Unit Type</b>	Free-standing
<b>Available in UK Only</b>	No
<b>UK Warranty</b>	2 Years Parts and Labour Warranty
<b>Export Warranty</b>	Contact your local dealer
<b>GTIN</b>	5056105117926

#### Power and Performance

<b>Total Power kW</b>	0.6
<b>Temperature Range °C</b>	-2 to +8
<b>Temperature Control</b>	Electronic
<b>Cooling Capacity Watts</b>	600
<b>Energy Grade</b>	D
<b>Annual Energy Consumption kWh/Annum</b>	982
<b>Climate Class</b>	5

#### Key Specifications

<b>Refrigerant Type</b>	R452a
<b>Construction/Finish</b>	304 Grade S/S Ext/Int
<b>Number of Drawers</b>	2
<b>Base Mounting</b>	Castors
<b>Insulation Material/Thickness</b>	Cyclopentane [60mm]
<b>Maximum Ambient Temperature °C</b>	40
<b>Auto Defrost</b>	Yes
<b>HACCP Compliant</b>	Yes

#### Capacity

<b>Gastronorm Capacity</b>	2 x GN 1/1
----------------------------	------------

#### Weights and Dimensions

<b>Unit Height (External) mm</b>	614
<b>Unit Width (External) mm</b>	916
<b>Unit Depth (External) mm</b>	826
<b>Net Weight Kg</b>	127

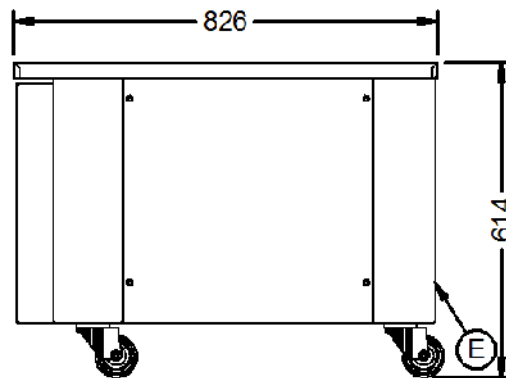
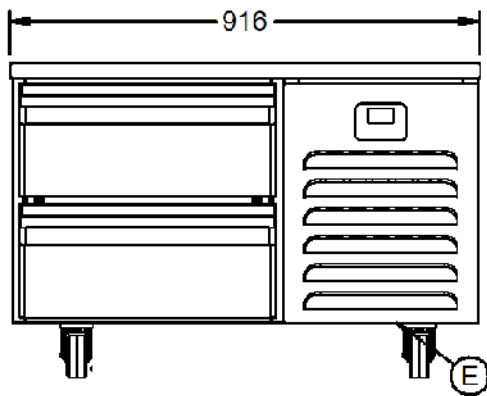
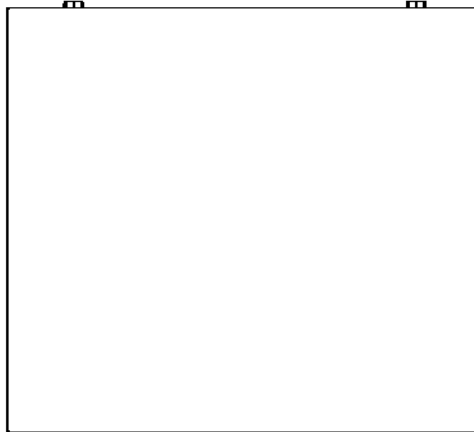
#### Supply Connections

<b>Requires Installation</b>	No
<b>Requires Electrical Supply</b>	Yes
<b>UK 3 Pin Plug</b>	Yes
<b>Requires Hardwiring</b>	No
<b>Electrical Supply Rating Watts</b>	600
<b>Single Phase Amps</b>	1.5
<b>Single Phase Voltage</b>	230

#### Shipping

<b>Packed Weight Kg</b>	139.7
<b>Packed Height cm</b>	75
<b>Packed Width cm</b>	106
<b>Packed Depth cm</b>	97

**Technical Picture**



**Lincat Limited**

Whisby Road,  
Lincoln, LN6 3QZ,  
United Kingdom

**Company No:** 2175448

A member company of



**Customer Care**

**Tel:** +44 1522 875500  
**Email:** care@lincat.co.uk

**Export Customers**

**Tel:** +44 1522 875536  
**Email:** export@lincat.co.uk

**Opening Hours**

**Monday – Friday:**  
8.30am – 5pm